

# G1902

## Safety Stations with Eye Wash

### **G1902** Safety Station with Eye Wash, Stainless Steel Bowl

**Application:** Combination eye wash and shower safety station. Two GS-Plus™ spray-type outlet heads deliver a flood of water for rinsing eyes.

**Shower Head:** 10" diameter orange ABS plastic.

**Shower Valve:** 1" IPS chrome plated brass stay-open ball valve. Valve is US-made with chrome plated brass ball and Teflon® seals. Furnished with stainless steel actuating arm and 29" stainless steel pull rod.

**Spray Head Assembly:** Two GS-Plus™ spray heads. Each head has a "flip top" dust cover, internal flow control and filter to remove impurities from water.

**Eye Wash Bowl:** 11 1/2" stainless steel.

**Eye Wash Valve:** 1/2" IPS chrome plated brass stay-open ball valve. Valve is US-made with chrome plated brass ball and Teflon® seals.

**Pipe and Fittings:** Schedule 40 galvanized steel. Furnished with orange polyethylene covers for vertical piping for high visibility and corrosion resistance.

**Supply:** 1 1/4" NPT female top or side inlet.

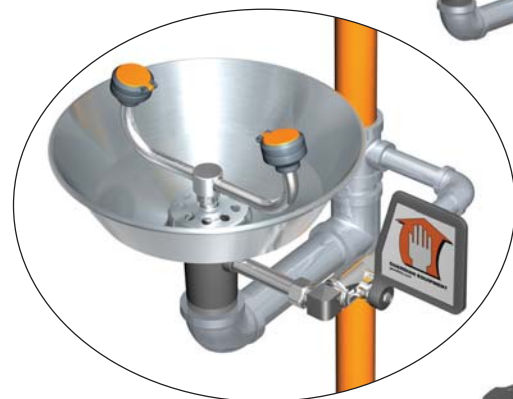
**Waste:** 1 1/4" NPT female outlet. Outlet can be positioned at either 8" or 20" above finished floor by reversing lower pipe nipples.

**Sign:** Furnished with ANSI-compliant identification sign.

**Quality Assurance:** Valve and spray head assemblies are factory assembled and water tested prior to shipment.

### Available Options

- GC** Powder coated finish on galvanized pipe and fittings. Available colors include orange, yellow, red and green.
- FC20** Regulates shower flow rate to 20 GPM.
- GRN** Green ABS plastic shower head.
- YEL** Yellow ABS plastic shower head.
- SSH** Stainless steel shower head.
- AP275-100 Electric Light and Alarm Horn** Light and alarm horn summon assistance when eye wash or shower is activated.
- AP250-015 Modesty Curtain** Modesty curtain for mounting on safety station.
- TMV** G3800 thermostatic mixing valve precisely blends hot and cold water to deliver warm (tepid) water as provided by ANSI Z358.1-2004.



ETL Listed 101496.  
Units have been tested  
to and comply with  
ANSI Z358.1 - 2004

## GUARDIAN EQUIPMENT

660 North Union Street  
Chicago, IL 60610  
info@gesafety.com

Phone 312 733 2626  
Fax 312 733 4684  
gesafety.com