

FILTERCART™ W3

The ultimate choice when it comes to mobile welding fume extraction fulfilling the W3 standards



Effective welding fume filtration, with all possible features built-in

The **FilterCart™ W3** offers a number of functions such as:

- Excellent filtration efficiency
- Extremely high capturing efficiency
- Functional and simple design
- Efficient spotlight
- Low noise level

...these are all important factors to secure safe and easy operation.

Values like:

- Minimum service requirements
- Quick and easy maintenance
- No installation time/cost
- Plug-in, ready to use
- Fulfilling the EN-15012-1 (W3)
- Alarm function for saturated filter

...all support optimal technical and economic benefits.

FilterCart™ W3 = Mobile, light-duty welding smoke filtration at it's best

Improving your workspace

Clean fresh air in the workshop

Technical information

FilterCart™ W3

Part no.	Voltage	kW	Arm length
12631245	230V / 50Hz, 1~	0.75	2m
12633245	240V / 50Hz, 1~*	0.75	2m
12632245	110V / 50Hz, 1~	0.75	2m
12634245	120V / 60Hz, 1~	0.75 (1hp)	2m
12631345	230V / 50Hz, 1~	0.75	3m
12633345	240V / 50Hz, 1~*	0.75	3m
12632345	110V / 50Hz, 1~	0.75	3m
12634345	120V / 60Hz, 1~	0.75 (1hp)	3m

* with UK-plug

Air flow
Up to 1050 m³/h

Replacement filter

Part no. 12374023

35 m² flame retardant pleated cellulose material. > 99% efficiency for welding fume.
Measured according to the test procedures in EN 15012-1.

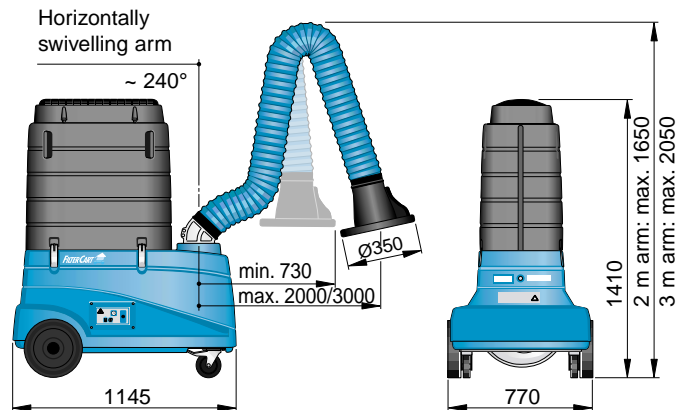
Accessory

HEPA filter H13

Part no. 12374016

7.5 m² high efficiency final filter, class H13.

Dimensions



Dust-free filter replacement



Slacken and lift up the filter cover.

Use the plastic bag from the new filter cartridge to pull and seal over the used filter.

The unit is now ready for disposal.

Fit the new filter cartridge and the filter cover.

Environmental data

	with 2m arm	with 3m arm
Weight (kg)	71	73
Noise level dB(A)*	73	
Recovery level, % of weight, without filter	90 %	

* Measured according to ISO EN 11204.

For Nederman complete product range please see our Product Catalogue.

The majority of Nederman's products are manufactured within ISO 9001 and ISO 14001-certified system.

Manufacturer:
AB Ph. Nederman & Co
Sydhamsngatan 2
SE-252 28 Helsingborg
Sweden

E-mail: support@nederman.se
Tel.: Int. +46 42 18 87 00
Fax: Int. +46 42 14 79 71
www.nederman.com

Rights reserved for modification of design and measurements.

Nederman[®]
Improving your workspace